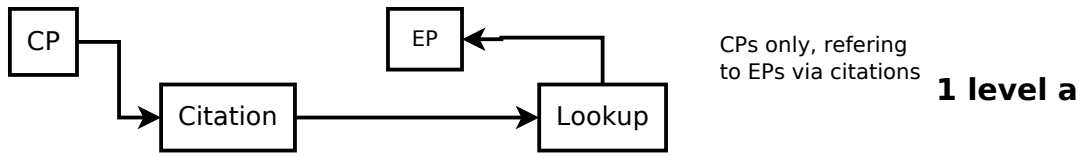
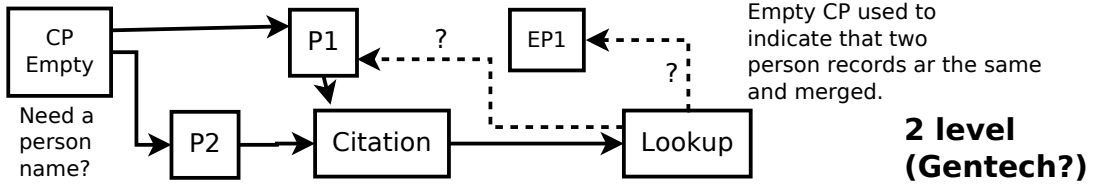


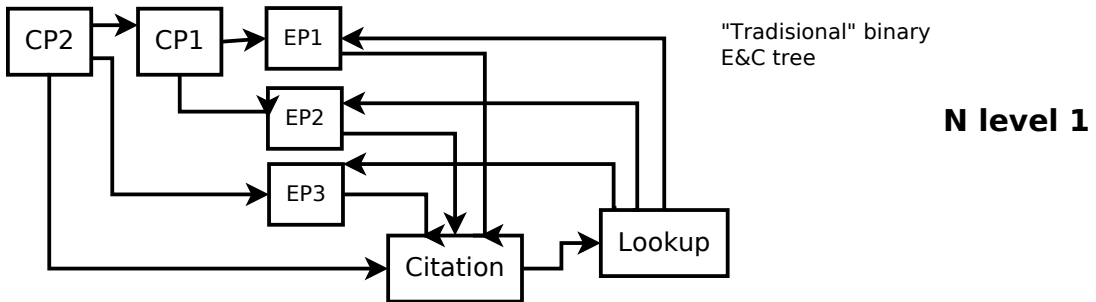
Some "permutations" (instances) of the most important proposed records



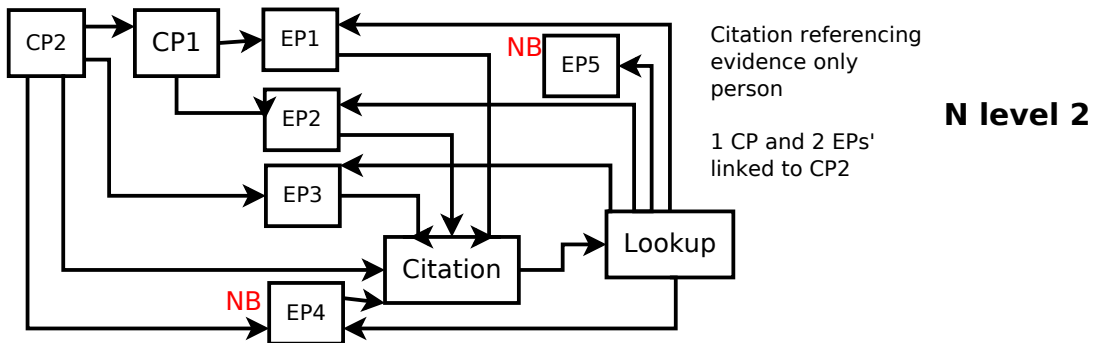
1 level a



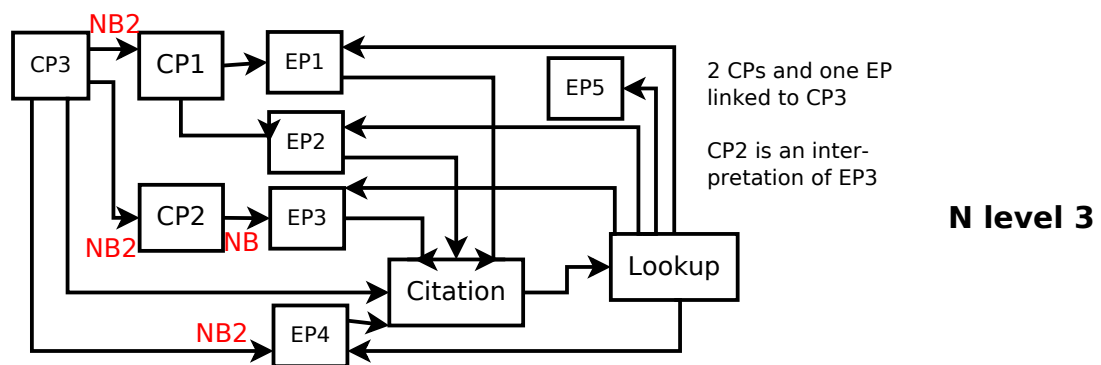
2 level (Gentech?)



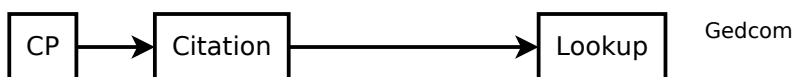
N level 1



N level 2



N level 3



1 level b